



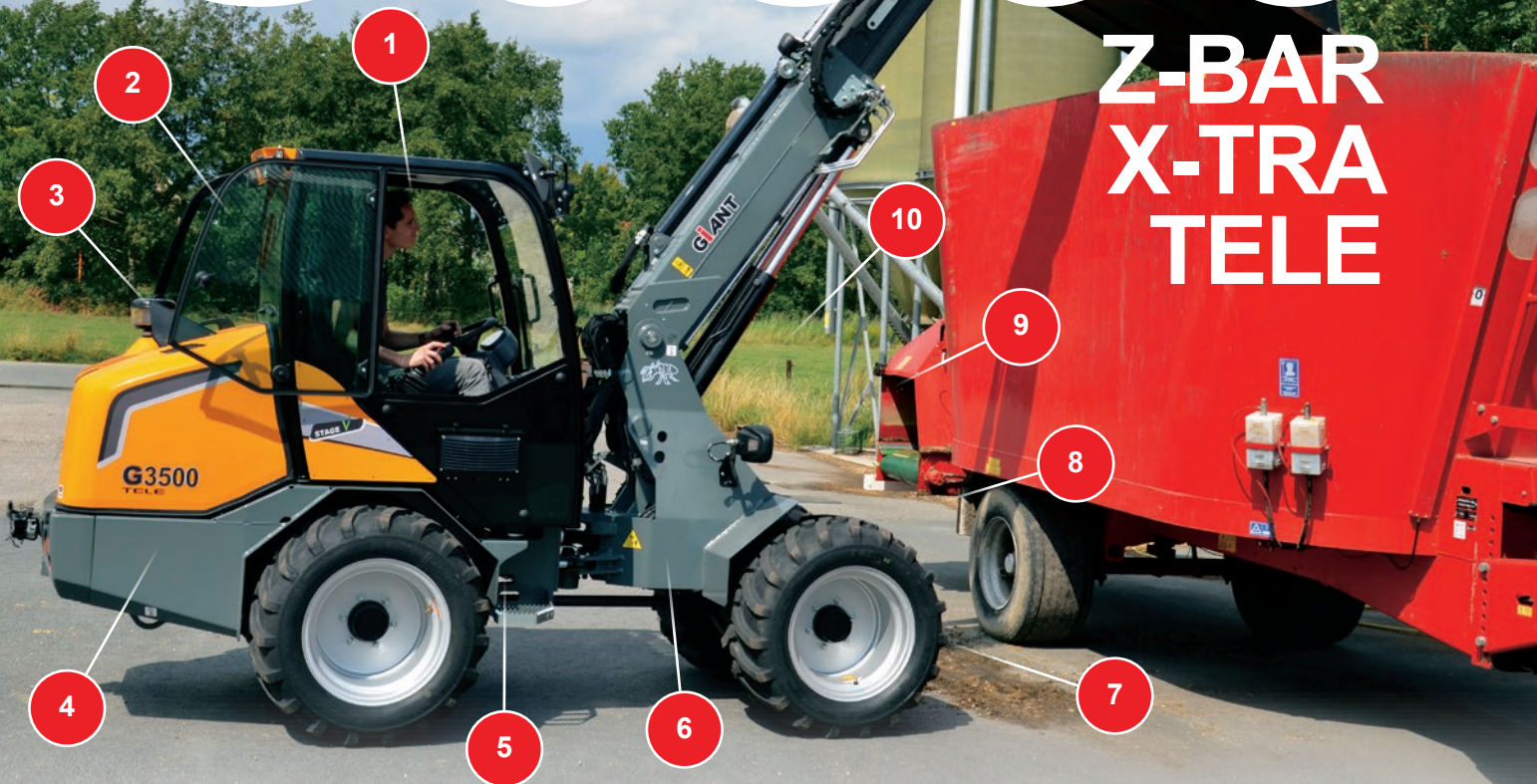
GIANT[®]
BY TOBROCO



COMPACT DESIGN
BIG IN PERFORMANCE

G3500

**Z-BAR
X-TRA
TELE**



1. WORKING COMFORTABLY

A comfortable and spacious working environment.

2. WORK SAFELY

The cabine and safetyroof are internationally ROPS/FOPS certified.

3. SERVICE

Daily checks and maintenance can be carried out quickly and in a safe manner because service points are easily accessible.

4. POWERFUL PERFORMANCE

Powerful, 66 hp, Kubota engine with DOC and DPF.

5. COMPACT DESIGN

The compact dimensions ensure that the machines can operate in small spaces.

6. MANOEUVRABILITY AND STABILITY

The articulated pendulum joint provides manoeuvrability and stability.

7. PRODUCTIVITY

Hydrostatic 4-wheel drive with automotive control (Rexroth) and 100% switchable lock on both, 14-tons, axles.

8. HYDRAULIC

Driving hydraulics: 112 l/min (450 bar).
Working hydraulics: 70 l/min (215 bar).

9. SPEED

0-10 km/h 0-30 km/h (with automatic gear) .

10. CHOOSE THE MACHINE FOR YOUR WORK

Depending on your work you can choose a Z-BAR, X-TRA or TELE version with the right options.

TECHNICAL DATA

TYPE	G3500 Z-BAR	G3500 X-TRA	G3500 TELE
Service weight ¹	3.800 kg	3.700 kg	4.000 kg
Lifting capacity	2.800 kg	3.225 kg	See table
Tipping load ²	2.500 kg	4.100 kg	See table
DIMENSIONS AND SPEED			
Lifting height ²	3.257 mm	2.656 mm	4.279 mm
Length without bucket	3.825 mm	3.760 mm	4.135 mm
Machine height ³	2.325 mm	2.325 mm	2.325 mm
Width on standard tyres		1.340 mm	
Standard tyres		11.5/80-15.3 AS	
Travel speed	0-10 km/h 0-30 km/h (with automatic gear)		
ENGINE			
	Kubota V2403-CR-TE5B DOC/DPF (STAGE V)		
Cylinders	4		
Engine power	66 hp / 48,5 kW		
Type	Turbo Diesel		
Fuel tank capacity	68 L		
Oil capacity	60 L		
POWERTRAIN			
Type	Hydrostatic 4 wheel drive		
Transmission	Automotive control		
Differential	100% electrical differential lock on both axles		
Final drive	14 tons axles with heavy planetary end drive		
Pulling force	34.000 N		
Driving hydraulics	112 l/min (450 bar)		
Working hydraulics	70 l/min (220 bar)		
Parking brake	Drum brakes		

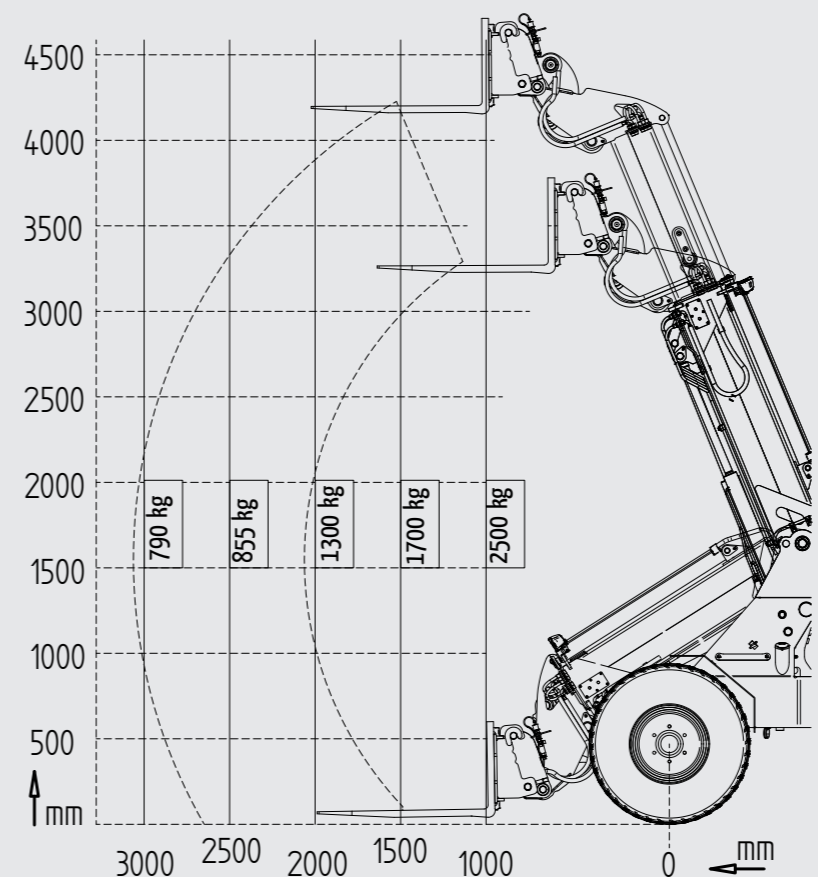
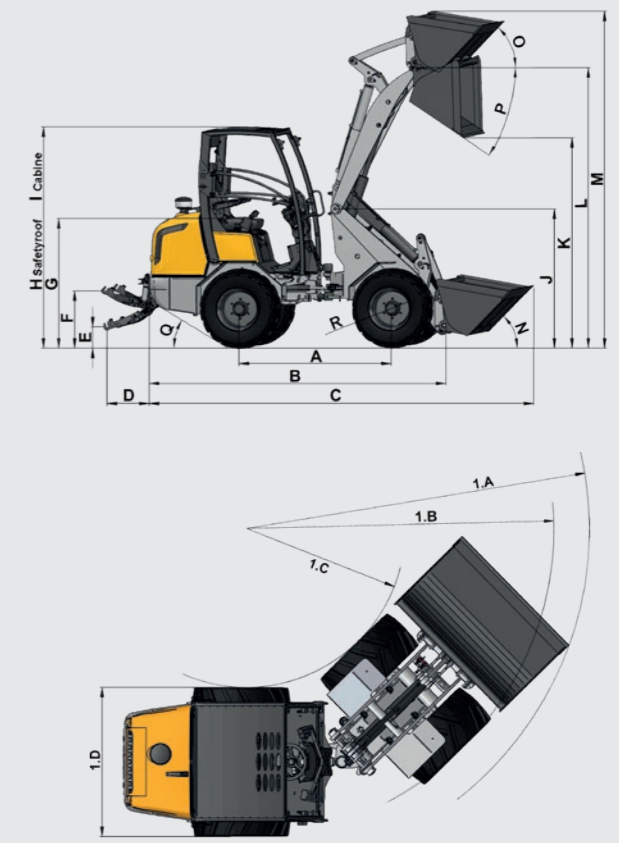
STANDARD MACHINE FEATURES

Lifting arm	Z-BAR	X-TRA	TELE
Double acting valve at the front (mechanical)	Std	Std	Std
Floating position on lifting cylinder(s)	Std	Std	-
ROPS / FOPS safetyroof incl. safety doors left and right	Std	Std	Std
Hydraulic servicebrake on 4 wheels	Std	Std	Std
Luxury air suspended seat with safety belt, armrest and extended backrest	Std	Std	Std
Main switch	Std	Std	Std
Towing hook at the back	Std	Std	Std
1 Counterweight integrated into the bumper	Std	Std	Std
Working light (halogen) at the front	Std	Std	Std
Cyclone filter	Std	Std	Std
Oil cooler	Std	Std	Std

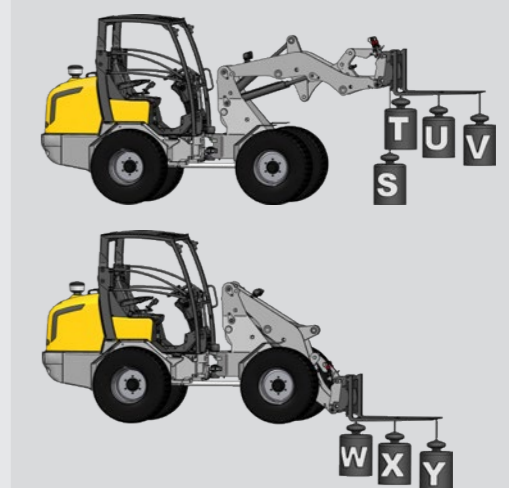
¹ Standard machine with cabin, operator, full tank and earth bucket
² Measured on hinge point in straight position and standard tyres
³ Measured on standard tyres and safety roof

MEASUREMENTS

	Unit	G3500 Z-BAR	G3500 X-TRA	G3500 TELE
A Wheelbase	mm	1.830	1.880	1.972
B Total length	mm	3.825	3.760	4.135
C Length with bucket	mm	4.660	4.595	4.965
D Length 3 point hitch	mm	565	565	565
E 3 Point hitch in lowest position	mm	253	253	253
F 3 Point hitch in highest position	mm	652	652	652
G Seat height	mm	1.270	1.270	1.270
H Max. height with safety roof	mm	2.325	2.325	2.325
I Max. height with cabin	mm	2.325	2.325	2.325
J Height front frame	mm	1.720	1.690	1.775
K Max. dumping height	mm	2.375	1.720	3.410
L Lifting height	mm	3.257	2.656	4.279
M Height with bucket	mm	3.930	3.325	4.955
N Rollback angle on the ground	degrees	43	43	42
O Rollback angle at max. lift height	degrees	54	44	55
P Max. angle for bucket emptying	degrees	40	46	37
Q Drive-up angle	degrees	22	22	22
R Outer size of tires	ø mm	940	940	940
1D Width on standard tyres	mm	1.340	1.340	1.340
1A Turning radius with bucket	mm	3.425	3.410	3.615
1B Turning radius on outer edge	mm	2.970	3.025	3.150
1C Inner turning radius	mm	1.525	1.590	1.675



TIPPING LOADS



	Z-BAR	X-TRA
S	2.500 kg	4.100 kg
T	2.200 kg	3.095 kg
U	1.870 kg	2.410 kg
V	1.550 kg	1.755 kg
W	3.410 kg	4.405 kg
X	2.490 kg	2.885 kg
Y	1.990 kg	2.075 kg



ONE MACHINE FOR EVERY JOB!



INFRASTRUCTURE



AGRICULTURAL



CONSTRUCTION & DEMOLITION



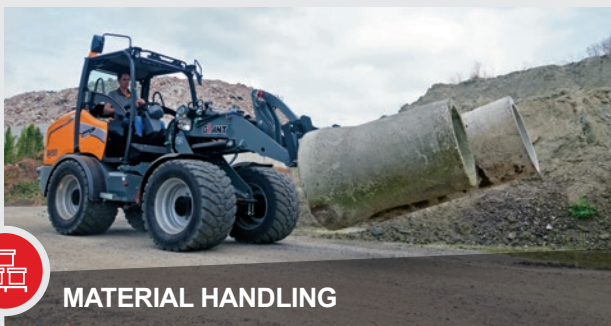
EQUINE INDUSTRY



FORESTRY



GOVERNMENT & MUNICIPALITIES



MATERIAL HANDLING



NURSERIES



WINTER SERVICE



LANDSCAPING & GROUND CARE

