



**GIANT**<sup>®</sup>  
BY TOBROCO



COMPACT DESIGN  
BIG IN PERFORMANCE

# G2200E



ZERO EMISSION



ZERO EMISSION



ZERO EMISSION



HIGH PERFORMANCE



ENERGY RECUPERATION

## TECHNICAL DATA

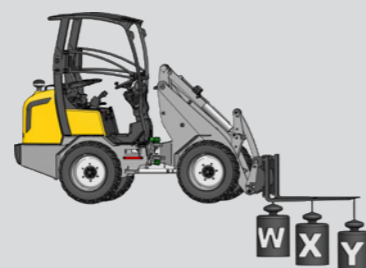
TYPE	G2200E	G2200E X-TRA
Service weight <sup>1</sup>	2.200 kg	2.200 kg
Lifting capacity	1.650 kg	2.200 kg
Tipping load <sup>2</sup>	1.450 kg	2.054 kg
<b>SIZE AND SPEED</b>		
Lifting height <sup>2</sup>	2.825 mm	2.450 mm
Length without bucket	2.975 mm	3.054 mm
Machine height <sup>3</sup>	2.300 mm	2.300 mm
Width on standard tyres	1.080 mm	
Standard tyres	10.0/75x15.3 AS	
Travel speed	0-20 km/h	
<b>STANDARD BATTERY</b>		
Lithium-ion battery	260Ah / 48V (195 kg)	
Standard "on board" charger	230V / 40A	
Charging time	5 hours	
<b>DRIVING MECHANISM</b>		
Electric motor	6,5 kW	
Energy recuperation	Machine recuperates energy when it rolls out or drives downhill	
Type	Electric four wheel drive with cardan shaft	
Differential	Axles with limited slip	
Pulling force	12.500 N	
Hill-Hold control	Axles with limited slip	
Parking brake	Drum brakes	
<b>WORKING HYDRAULICS</b>		
Electric motor	12 kW	
Working hydraulics	35 l/min (170 bar)	

## STANDARD MACHINE FEATURES

	G2200E	G2200E X-TRA
Hydraulic Quick Hitch	Std	Std
Double acting valve at the front (mechanical)	Std	Std
ROPS / FOPS safetyroof incl. safety doors left and right	Std	Std
Hydraulic servicebrake on 4 wheels	Std	Std
Luxury seat with safetybelt, armrest and extended backrest	Std	Std
Towing hook at the back	Std	Std
Working light (LED) at the front	Std	Std
Battery management system	Std	Std
Anti-theft protection with access code (not certified)	Std	Std

<sup>1</sup> Measured with earthbucket <sup>2</sup> Measured with hinge point in straight position on standard tyres <sup>3</sup> Measured on standard tyres with safety roof

## TIPPING LOADS



	G2200E	G2200E X-TRA
S	1.450 kg	2.054 kg
T	1.250 kg	1.580 kg
U	950 kg	1.140 kg
V	745 kg	850 kg
W	2.000 kg	2.675 kg
X	1.270 kg	1.590 kg
Y	1.000 kg	1.120 kg

## BATTERY OPTIONS

Lithium-ion battery	48V
Capacity	390 Ah
Capacity	520 Ah



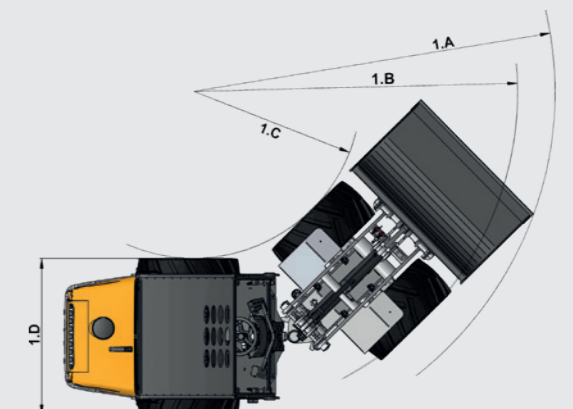
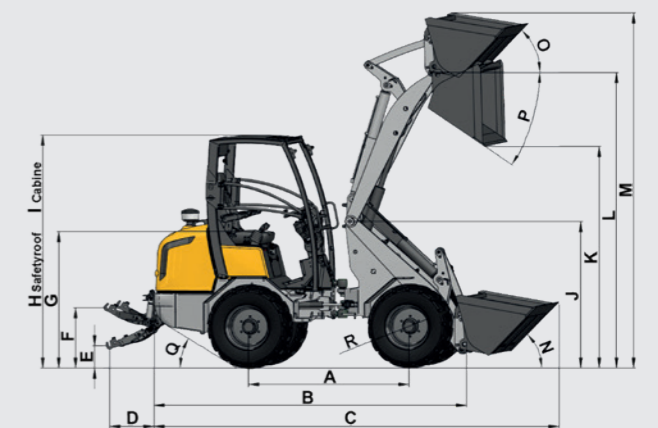
## CHARGER OPTIONS

On board charger	230 V / 60 A
Charging time standard battery	5 hours
External charger (260 Ah battery)	48 V / 150 A
Charging time 260 Ah battery	3 hours
External charger (260 Ah battery)	48 V / 300 A
Charging time 260 Ah battery	1,5 hours



## MEASUREMENTS

	Unit	G2200E	G2200E X-TRA
A Wheelbase	mm	1.515	1.580
B Total length	mm	2.975	3.054
C Length with bucket	mm	3.690	3.830
D Length 3 point hitch	mm	622	622
E 3 Point hitch in lowest position	mm	134	134
F 3 Point hitch in highest position	mm	797	797
G Seat height	mm	1.256	1.256
H Max. height with safety roof	mm	2.300	2.300
I Max. height with cabin	mm	2.284	2.284
J Height front frame	mm	1.480	1.250
K Max. dumping height	mm	1.988	1.680
L Lifting height	mm	2.825	2.450
M Height with bucket	mm	3.392	3.040
N Rollback angle on the ground	graden	43	41
O Rollback angle at max. lift height	graden	53	46
P Max. angle for bucket emptying	graden	47	37
Q Drive-up angle	graden	29	29
R Outer size of tires	ø mm	760	760
1D Width on standard tyres	mm	1.080	1.080
1A Turning radius with bucket	mm	2.599	2.650
1B Turning radius on outer edge	mm	2.292	2.342
1C Inner turning radius	mm	1.179	1.230



# ONE MACHINE FOR EVERY JOB!



INFRASTRUCTURE



AGRICULTURAL



CONSTRUCTION & DEMOLITION



EQUINE INDUSTRY



FORESTRY



GOVERNMENT & MUNICIPALITIES



MATERIAL HANDLING



NURSERIES



WINTER SERVICE



LANDSCAPING & GROUND CARE



**GIANT**  
BY TOBROCO

