



A NEW POWER IS HERE

Stage V Eco Power



a7750

Norcar a7750

Stage V Eco Power

Norcar a7750 is bringing new technology and performance to miniloaders. The a7750 is using a 50 hp Stage V diesel engine that increases the performance in pulling force, speed and hydraulic power. The new low center of mass frame gives stability to work with full lifting power without adding extra counterweights.

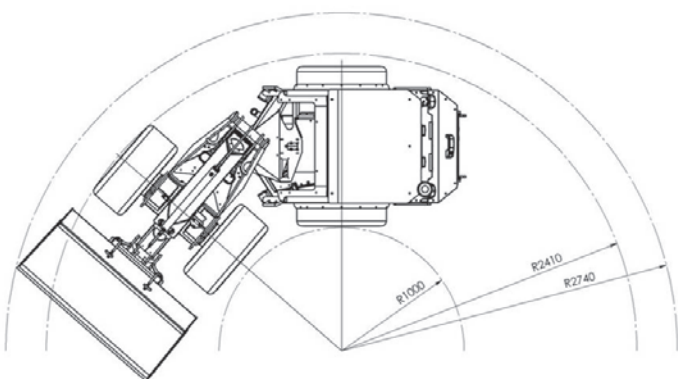
Norcar a7750 also comes with an upgraded driver environment thanks to the new rollover canopy. A safe workplace with easy access, good visibility and excellent ergonomics.

Norcar a7750 continues with the Norcar Heavy Duty build and design. It has a centered lifting boom, welded frame and metal engine hood and covers. The a7750 is a new Norcar that is once again loaded with power.

Add Power to Your Work!



Dimensions



Specifications

Engine

| | |
|---|-----------------|
| Make..... | Kubota |
| Model | D 1803-CR-T E5B |
| Cylinders..... | 3 |
| Fuel | Diesel |
| Cylinder volume (cm ³)..... | 1826 |

Power

| | |
|--|---------|
| SAE, gross power (kW/hp)..... | 37/49,6 |
| Max gross torque (Nm) | 150 |
| At engine speed (r/min)..... | 1600 |
| Max engine speed without load (r/min)..... | 2900 |

Electrical system

| | |
|---------------------|-------|
| Battery (V-Ah)..... | 12-77 |
| Alternator (A)..... | 70 |

Service volumes

| | |
|--|----|
| Cooling system (l) | 7 |
| Engine oil (l)..... | 7 |
| Fuel tank (l)..... | 27 |
| Hydraulic tank (l)..... | 56 |
| Hydraulic system total volume (l)..... | 61 |

Performance

| | |
|--------------------------------------|--------|
| Lifting power hydraulic (kg)..... | 2100 |
| Breakout force 50 cm (kg)..... | 1500 |
| Tipping load, straight (kg) | 1500 + |
| Tipping load, articulated (kg) | 900 + |
| Operating weight (kg)..... | 2170 |
| Drive speed low (km/h) | 0 - 14 |
| Drive speed high (km/h)..... | 0 - 28 |
| Pulling force low (kg) | 1900 |
| Pulling force high (kg)..... | 950 |

Hydraulic system

| | |
|--|-----|
| Working hydraulics (l/min) | 70 |
| System pressure (bar)..... | 240 |
| Drivetrain hydraulics (l/min)..... | 124 |
| Drivetrain max system pressure (bar) | 400 |

Cycle times

| | |
|--|-----|
| Lifting the boom (s) | 3,6 |
| Lowering the boom (s) | 2,2 |
| Folding in the bucket (s) | 2,5 |
| Tipping the bucket (s) | 2,2 |
| Steering wheel rotations L/R (rev) | 4/5 |

Standard equipment

Roll bar ROPS/FOPS, seatbelt
 Led work lights, front (roof)
 Electrically maneuvered parking brake / automatic safety system
 Float on the lifting boom
 Hand throttle / Foot throttle
 Digital display 4,3" dashboard information
 Suspension seat with armrest
 Adjustable steering column
 Automotive F-N-R drive system with inching pedal
 Hydraulic oil cooler



MultiFaster Quick release coupling

The MultiFaster Quick release makes changes of hydraulic tools easy and quick. All the hydraulic connections are completed with a simple hand motion and makes it impossible to cross connect. Pressure is automatically released and no oil will leak.



Parallel leveller

Keeps equipment in the set position regardless of the boom's movements. Increases safety and precision during lifts, especially with pallet forks.



Traction control

Provides better traction on slippery or uneven surfaces. Traction is guaranteed on the same side wheels.



Load Warning System

Load warning provides a good overview of load weight and warns of the risk of tipping. The load warning can easily be calibrated to different counter weight alternatives.



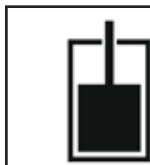
FOPS Protective Roof

Steel roof that protects the operator from falling objects.



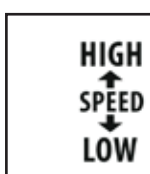
Telescope Extension Boom

750mm telescope boom gives good lifting height and reach. Electronically controlled using lifting boom's joystick.



High Capacity Hydraulics

Dual working hydraulic pumps provide selectable flow (70 l/min) for hydraulic outlets. Telescope extension boom and external hydraulics work independently of each other, regardless of the boom's movements.



Two Speed Ranges

Change between pulling force and speed.
 Low gear: 0-14 km/h, pulling force 1900 kg
 High gear: 0-28 km/h, pulling force 950 kg.

Extra equipment



Hydraulic Quick Lock
7004569



Trima/SMS
7008257



Extra Hydraulic Outlet
7004571



Engine Pre Heater
7008578



Hydraulic Outlet Rear
7008592



Beacon Light
7004576



Rear View Mirrors
7008565



Fender Flares
7007645



Pro Led Work Lighting
7006039



Seat Heater
7004605



Comfort Seat
7006830



Electrically Heated
7006831



Speed Control
7004587



Oscillation Lock
7004619



Mounting Plate
7008600



Hitch
7004611



Hitch Combo
7004613



Counterweight bracket
7008601
Counterweight 29 kg
7008285

Tires



320/55 - 15 TR
Machine width 127 cm
Standard



320/55 - 55 GR
Machine width 127 cm
7004565



27 x 8,5 - 15 IN
Machine width 105 cm
7006083



320/60 - 12 TR
Machine width 127 cm
7004563



400/45 - 15,5 IN
Machine width 142 cm
7006348

Features



Excellent view in all boom positions.



Easy operation of the rear hydraulic outlets. As option 7-p trailer outlet and 3-p control outlet for operating electric valves*.



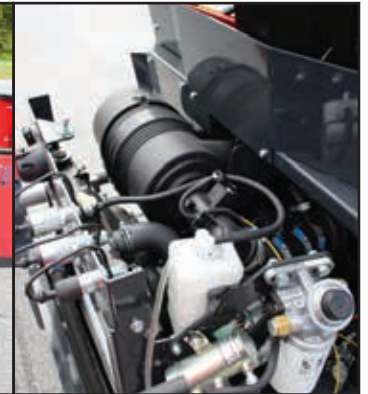
Mounting plate with loop to safely fix the loader for transport. 3xM12 on plate to mount accessories.



Handle for safe and easy access to driving seat. Storage boxes on both sides for tools, phone and accessories. 12V and USB outlets.



Good access to service and daily maintenance. Lockable engine hood.



*Available from 1/2021

Norcar Ab Oy
Fabriksgatan 7,
FI-66900 Nykarleby,
FINLAND

Tel. +358 (0)6 7812 144
info@norcar.com



norcar

www.norcar.com